

Built-in dishwashers



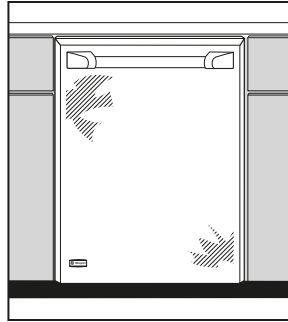
Bulk-dispense stainless steel dishwasher with xenon lighting and steam prewash

ZBD8920PSS

Overall dimensions (WxHxD in inches):
24 x 34-35 x 24

Amps @120 Volts	9.1
Approx. shipping wt. (lbs.)	120

- Accepts custom toekick



Custom panel dishwashers

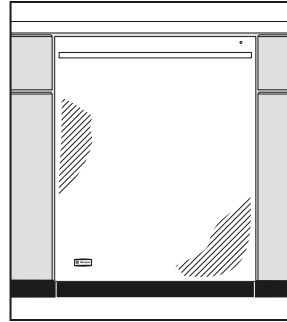
ZBD8900PII and ZBD6900PII

Overall dimensions (WxHxD in inches):
24 x 34-35 x 24*

Amps @120 Volts	9.1
Approx. shipping wt. (lbs.)	120

- A custom panel and handle are required
- Accepts custom toekick
- Accepts professional-style door/panel handle kit, ZPRO0700S
- Accepts ZTB700 stainless steel tubular handle*

*24-3/4" with custom panel (not including handle)



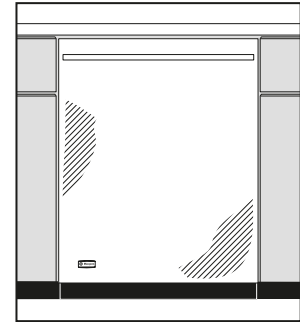
Stainless steel dishwasher with xenon lighting

ZBD7920PSS

Overall dimensions (WxHxD in inches):
24 x 34-35 x 24

Amps @120 Volts	9.1
Approx. shipping wt. (lbs.)	120

- Accepts custom toekick
- Exterior end-of-cycle indicator light



Stainless steel dishwasher

ZBD6920PSS

Overall dimensions (WxHxD in inches):
24 x 34-35 x 24

Amps @120 Volts	9.1
Approx. shipping wt. (lbs.)	115

- Accepts custom toekick

General features

New wash system. Multi-angle jet sprays and a high-heat steam option virtually eliminate the need for pre-rinsing.

Bulk-dispense technology. Holds an entire 47-oz. bottle of detergent, releasing the right amount throughout the wash cycle based on water hardness and soil level. (ZBD8920PSS and ZBD8900PII models)

High-intensity xenon lights. These lights illuminate the entire interior, leaving no question as to whether or not dishes have been cleaned. (ZBD8920PSS, ZBD8900PII and ZBD7920PSS models)

Quiet operation (48 dBA). Advanced sound-absorbing materials and a smooth-running motor provide quiet operation.

* Order this handle through GE parts



Advance planning for built-in dishwashers

Monogram® dishwashers are designed for versatility, adaptable to virtually any installation.

- These dishwashers may be installed beneath countertops of stone or other materials that will not accept screws. No kits required.

Supplied or custom toekick

- Depending on cabinetry style, a custom toekick can also be installed on all 24" dishwashers to match cabinetry. Care must be taken to assure door swing clearance above the toekick.

Electrical requirements

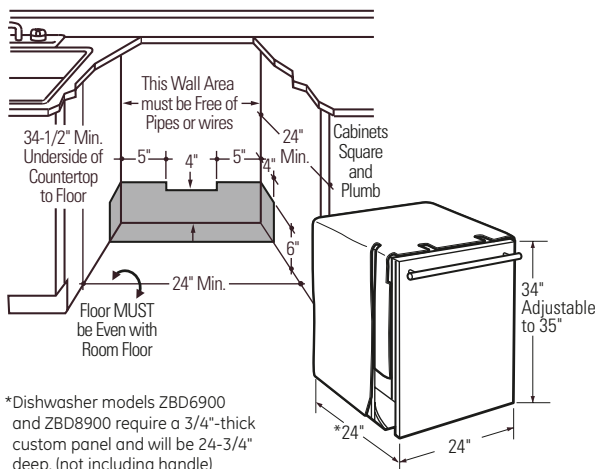
The dishwasher must be supplied with 120V, 60Hz, and connected to an individual properly grounded branch circuit protected by a 15- or 20-amp circuit breaker or time-delay fuse.

The installation space

The rough cabinet opening must be prepared to the dimensions shown.

- The dishwasher must be installed so that the drain hose is no more than 10 feet in length for proper drainage.
- Water and power supply should enter in the shaded area.
- Electrical and water connections are at the right front of the dishwasher. The hot water line should extend forward 30" to 40" from the rear wall. The electrical must extend forward at least 24" to reach the junction box.
- To prevent siphoning, an air gap must be used when the waste tee or disposer connection is less than 18" above the floor.

Monogram 24" dishwashers cutout dimensions and clearances



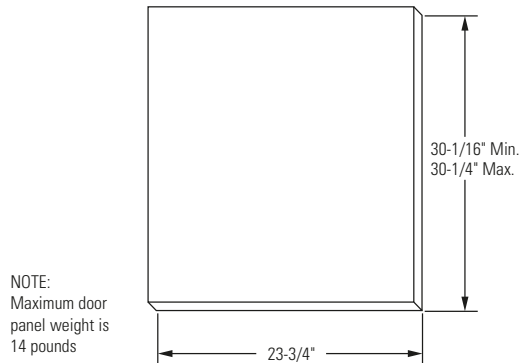
The serial plate is located on the tub wall just inside the door.

Custom panels

Custom panel for fully integrated ZBD8900PII and ZBD6900PII dishwashers

These models require a field-installed 3/4"-thick custom panel and custom handle. An installation template is packed with these models and may be obtained in advance. Order Pub. No. 31-30569-1. Complete panel installation instructions are included on the template.

Custom panel size requirements



HEIGHT:

Panel height must be between 30-1/16" and 30-1/4"

- If the panel height is more than 30-1/4", it will prevent the door from swinging open.
- If the panel height is less than 30-1/16", it will not cover the dishwasher door frame.
- The top of the custom panel must be flush with the top of the door. A 1/2" minimum gap between the top of the door and the bottom of the countertop must be maintained.

WIDTH:

Panel width must be 23-3/4"

- If the panel width is less than 23-3/4", it will not cover the dishwasher frame.

Custom accessories

ZTB700 tubular handle*

Install this Monogram stainless steel tubular handle onto your 3/4"-thick custom door panel. The handle is 22-1/2" wide and 1-1/8" deep. For models ZBD9900RII, ZBD8900PII and ZBD6900PII only.

ZPRO0700S professional-style door panel

This panel provides a professional-style handle on a stainless steel door panel. Transform the ZBD8900PII or the ZBD6900PII to complement a commercial-style kitchen.

Standard flush installation

- Model ZBD8900 and ZBD6900 dishwashers have a total depth of 24-3/4", including the required 3/4"-thick door panel. They will install flush with cabinets that are 24-3/4" deep (including typical 3/4"-thick cabinet doors).

* Order this handle through GE parts